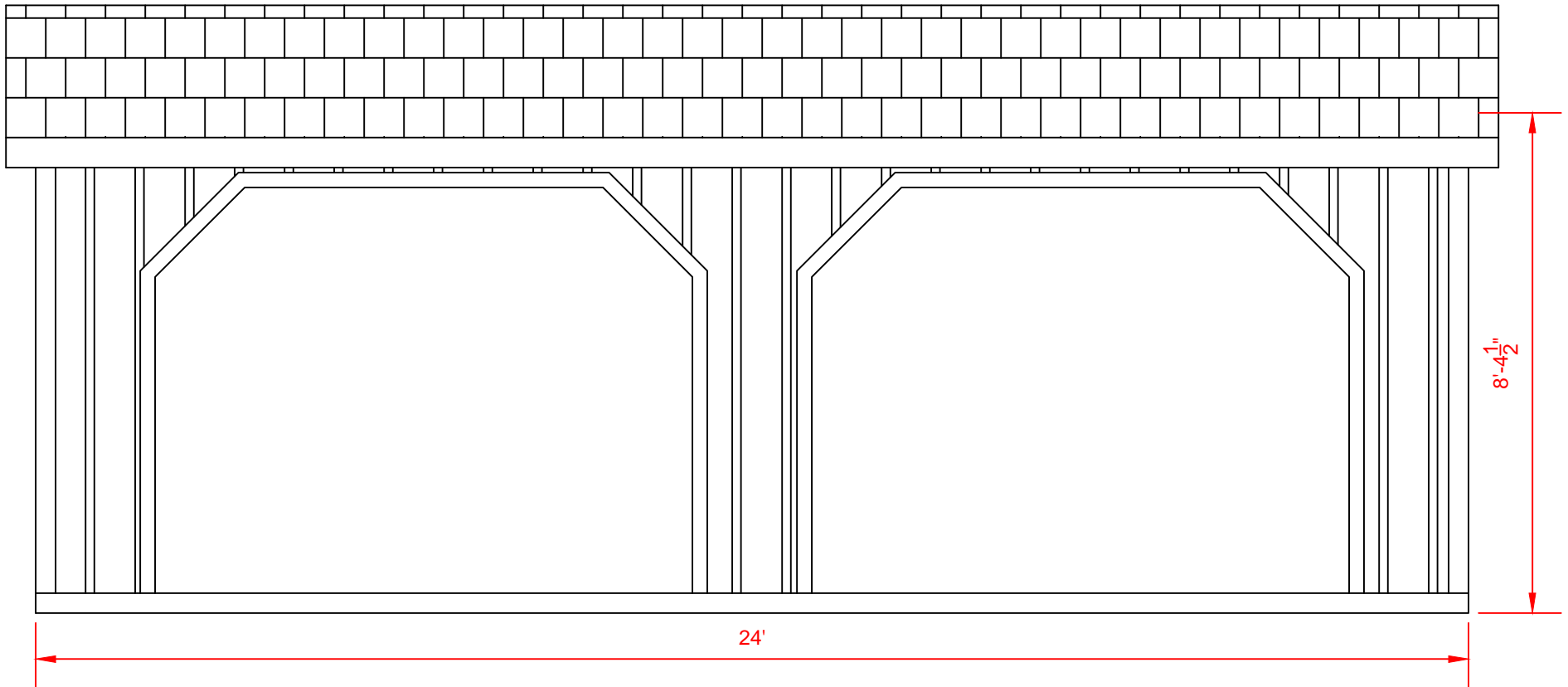


# 10x24 Run-In Shed



2327 Asheville Hwy. - Hendersonville, NC 28791  
828-692-8200 www.DeliveredBarnsAndSheds.com

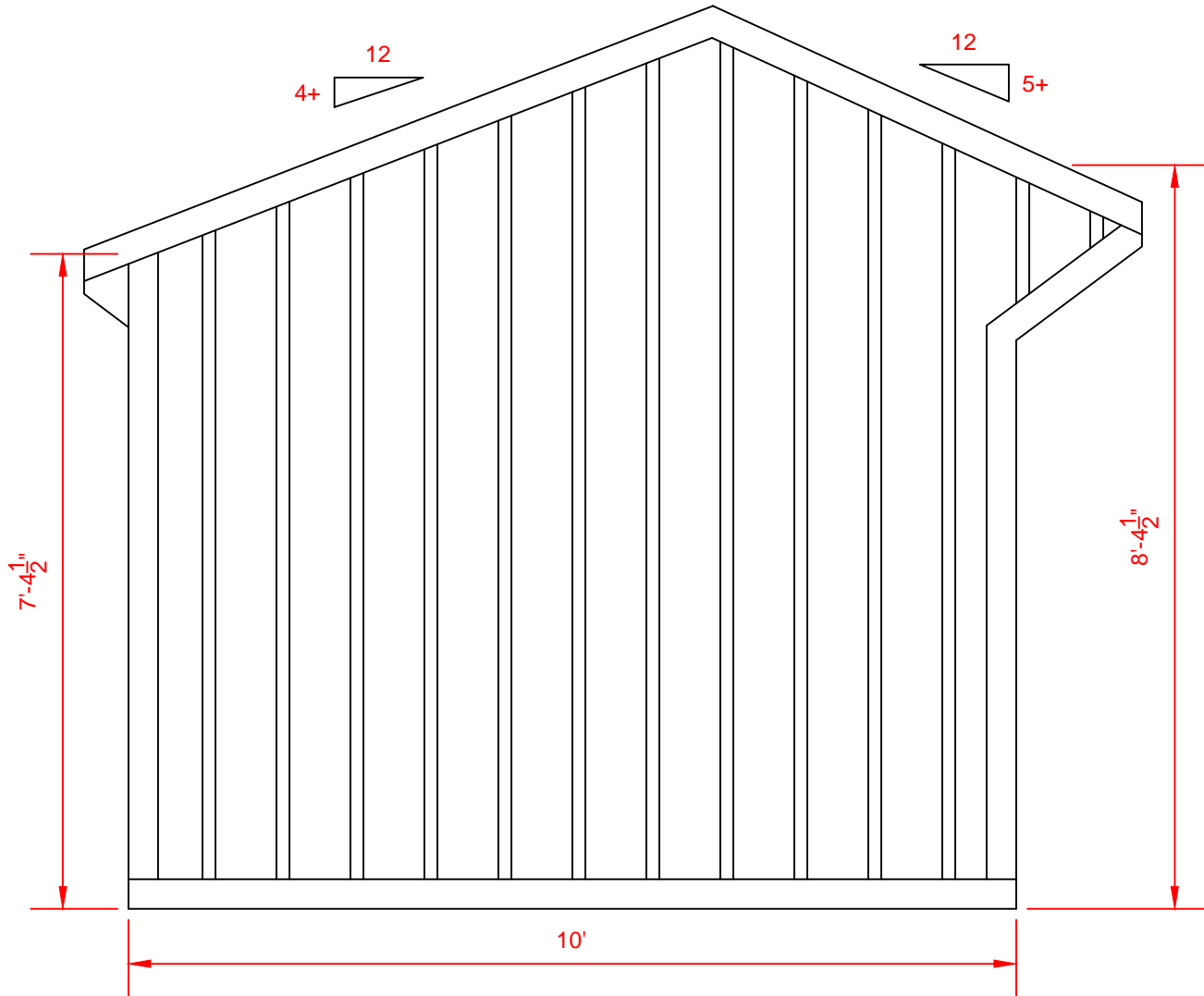
2 FRONT ELEVATION  
A.1 Scale:  $\frac{3}{8}$ " = 1'-0"



# Carolina Storage Solutions

STORAGE BARNS \* HORSE BARNS \* CARPORTS \* GARAGES

2327 Asheville Hwy. - Hendersonville, NC 28791  
828-692-8200 www.DeliveredBarnsAndSheds.com



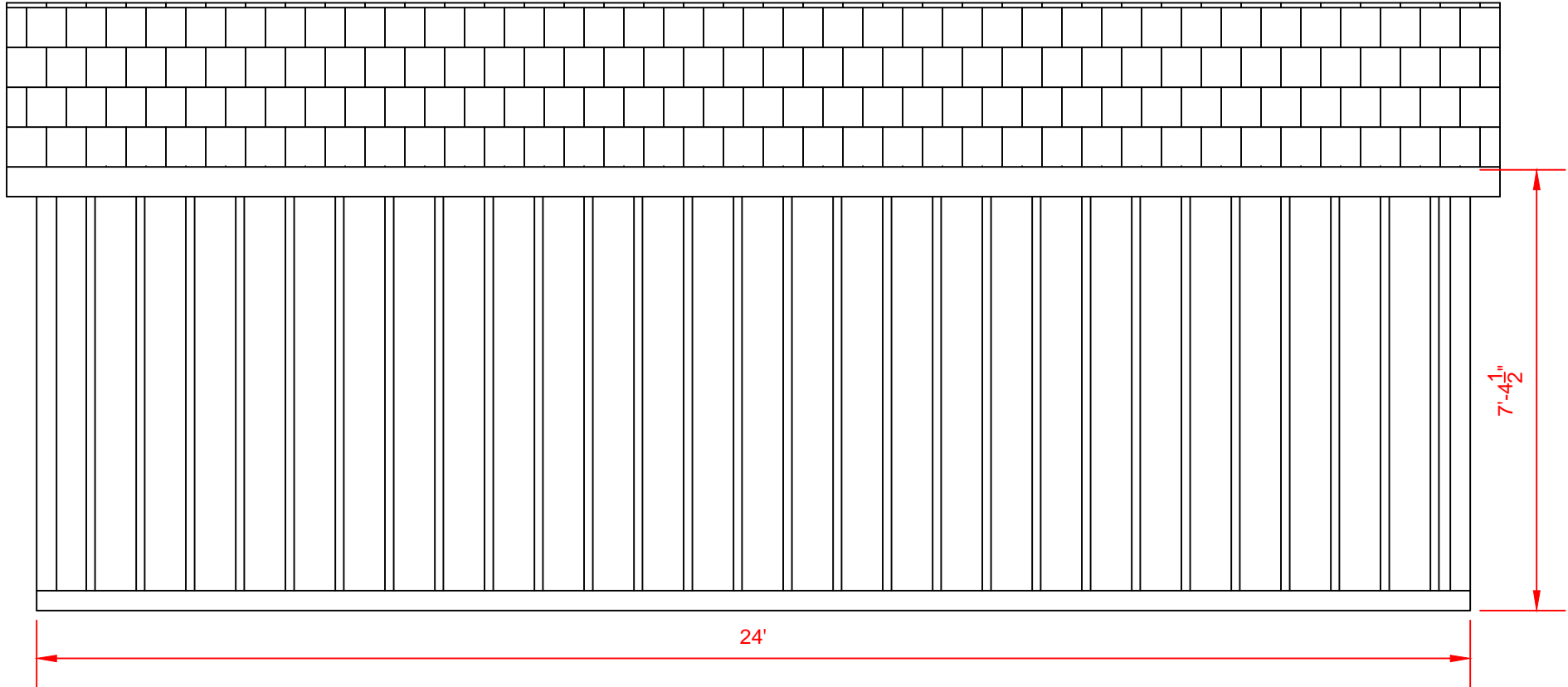
4  
A.1

LEFT ELEVATION

Scale:  $\frac{1}{2}$ " = 1'-0"



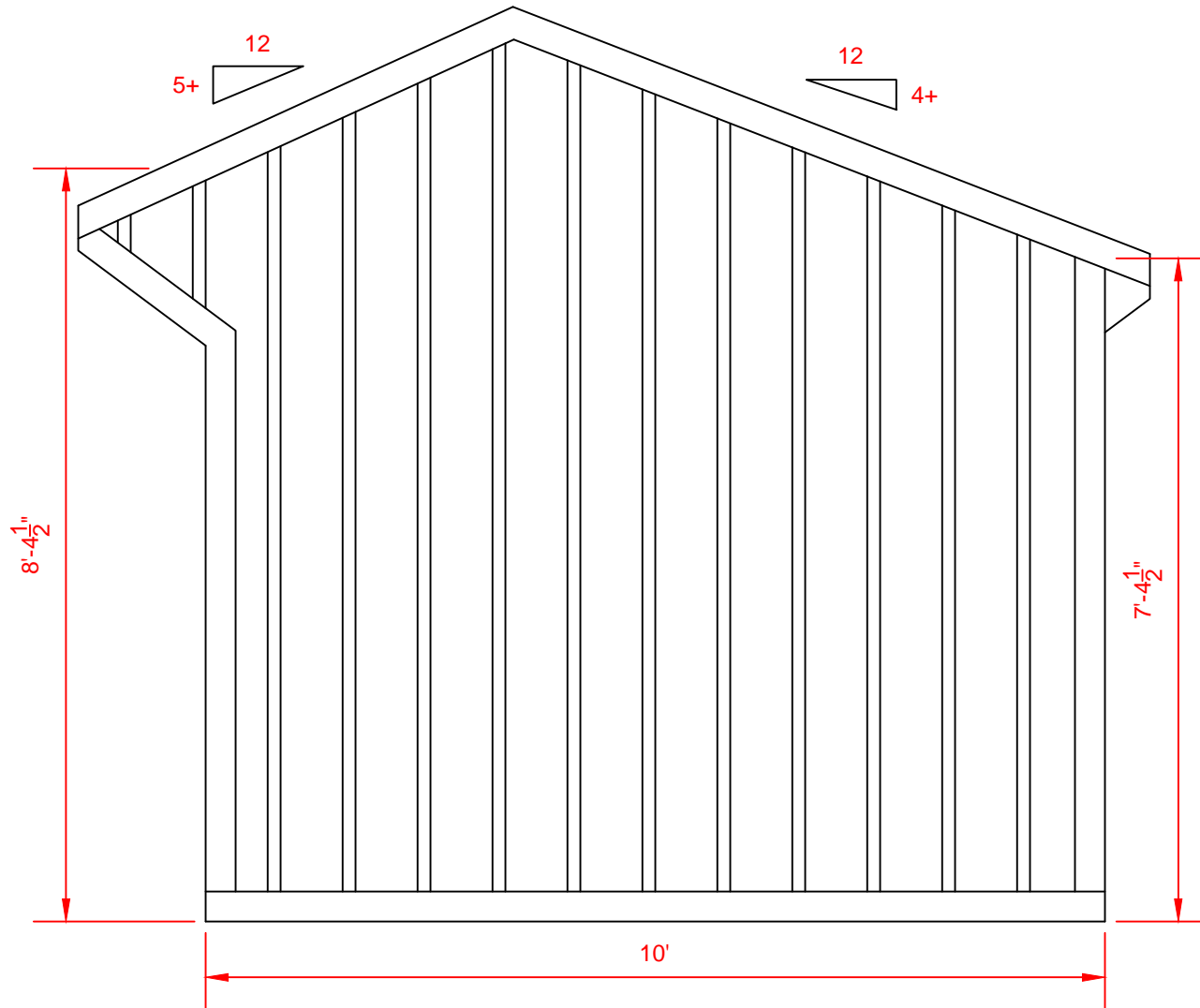
2327 Asheville Hwy. - Hendersonville, NC 28791  
828-692-8200 www.DeliveredBarnsAndSheds.com



5  
A.1

REAR ELEVATION

Scale:  $\frac{3}{8}$ " = 1'-0"



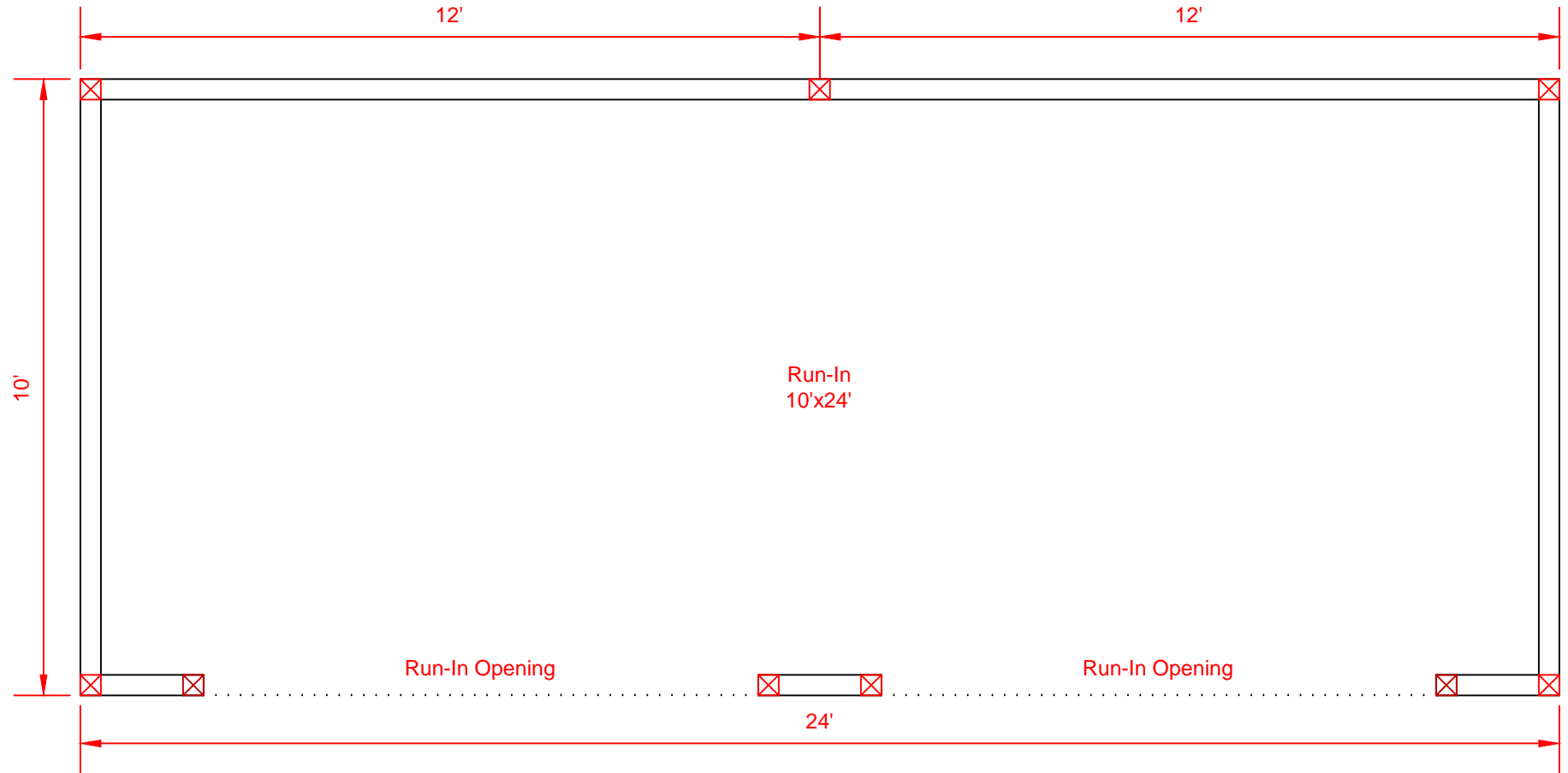
3  
 A.1

RIGHT ELEVATION

Scale: 1/2" = 1'-0"



STORAGE BARNS \* HORSE BARNS \* CARPORTS \* GARAGES  
2327 Asheville Hwy. - Hendersonville, NC 28791  
828-692-8200 www.DeliveredBarnsAndSheds.com



Front  
Elevation