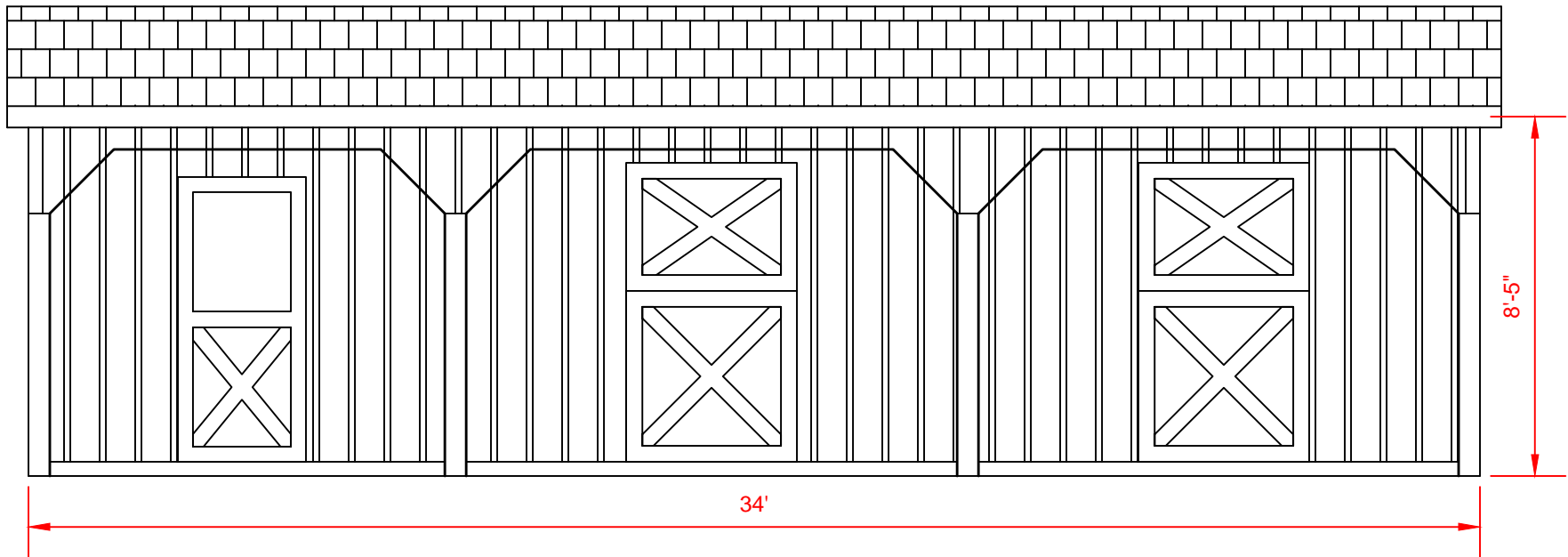


# 10x34 Shed Row Barn w/ 8' Hinged Lean To



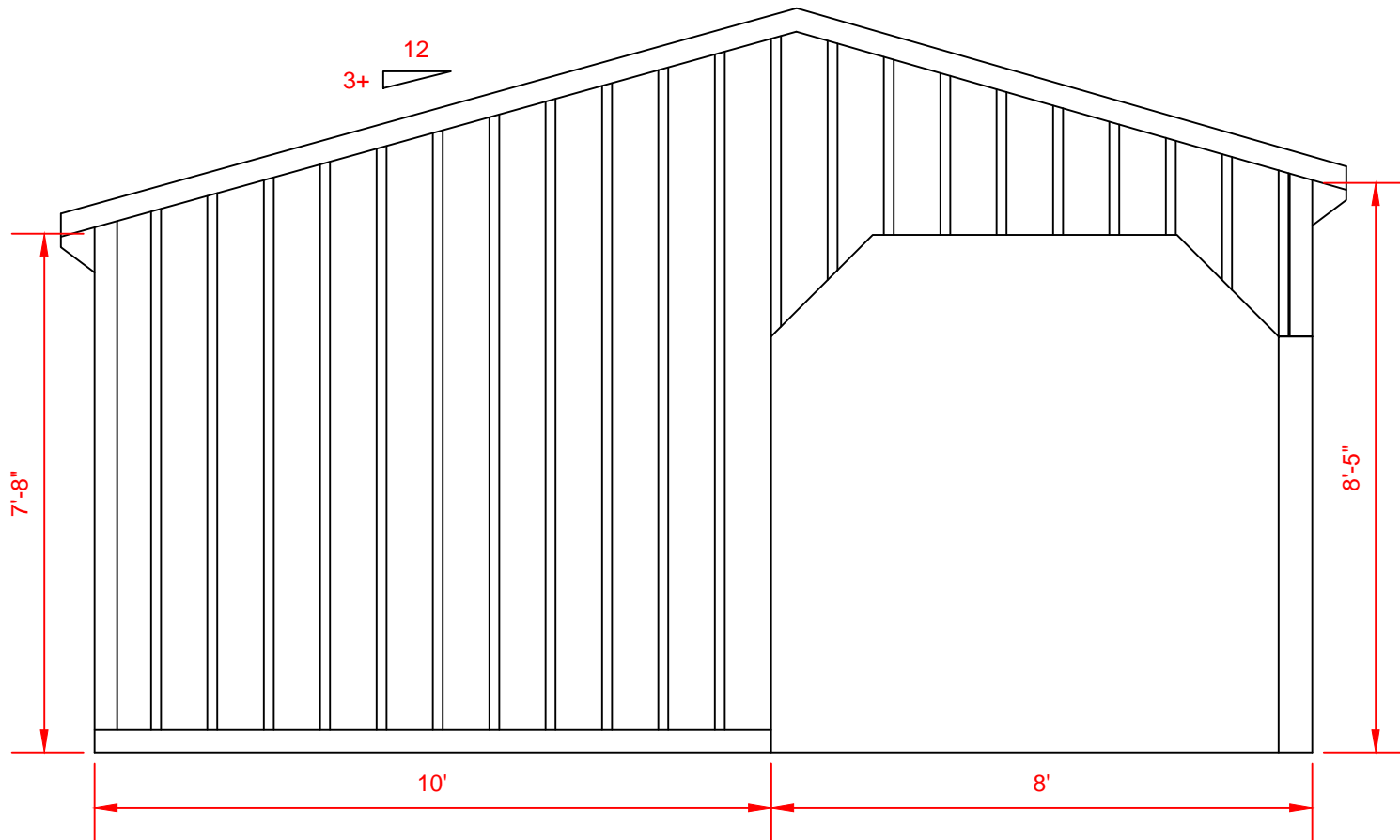
2327 Asheville Hwy. - Hendersonville, NC 28791  
828-692-8200 www.DeliveredBarnsAndSheds.com



**Carolina Storage Solutions**  
LLC

STORAGE BARNs \* HORSE BARNs \* CARPORTS \* GARAGES

2327 Asheville Hwy. - Hendersonville, NC 28791  
828-692-8200 www.DeliveredBarnsAndSheds.com



4  
A.1

LEFT ELEVATION

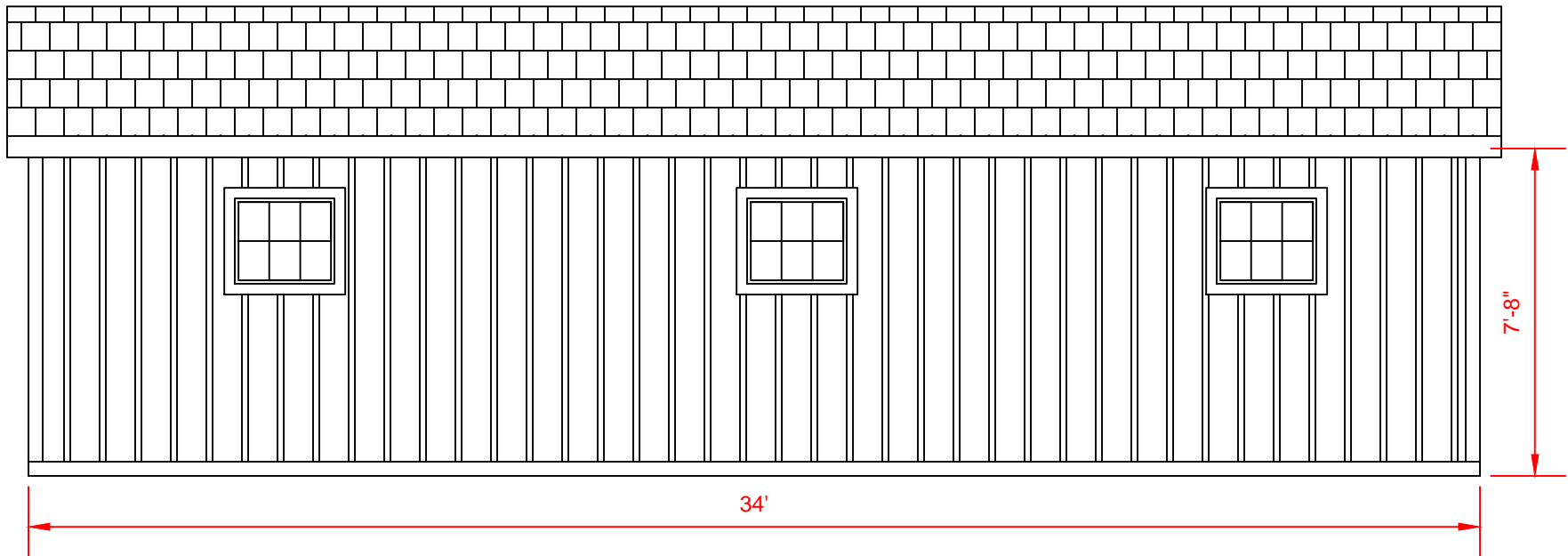
Scale:  $\frac{3}{8}$ " = 1'-0"



# Carolina Storage Solutions<sup>LLC</sup>

STORAGE BARNs \* HORSE BARNs \* CARPORTS \* GARAGES

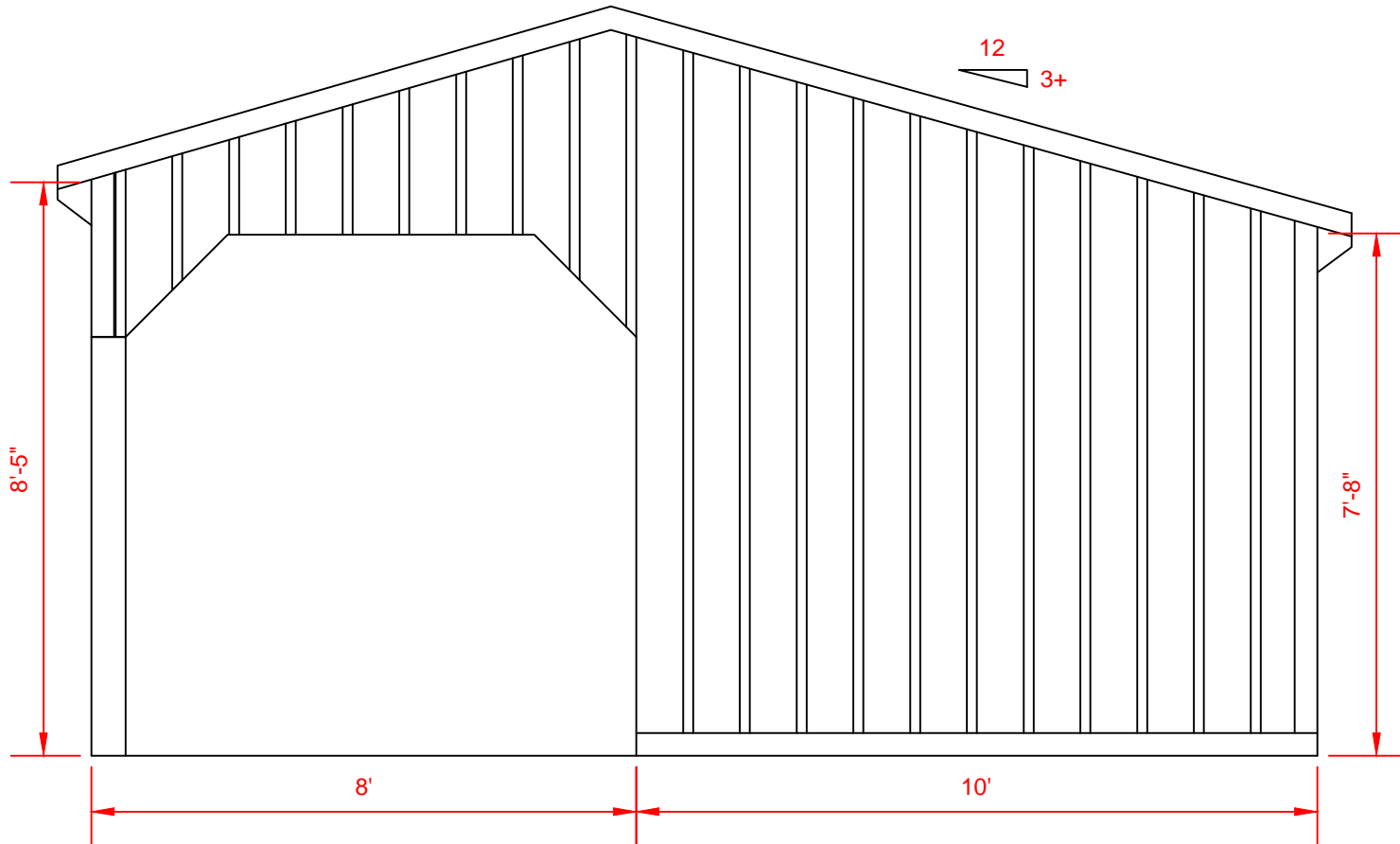
2327 Asheville Hwy. - Hendersonville, NC 28791  
828-692-8200 www.DeliveredBarnsAndSheds.com



5  
A.1

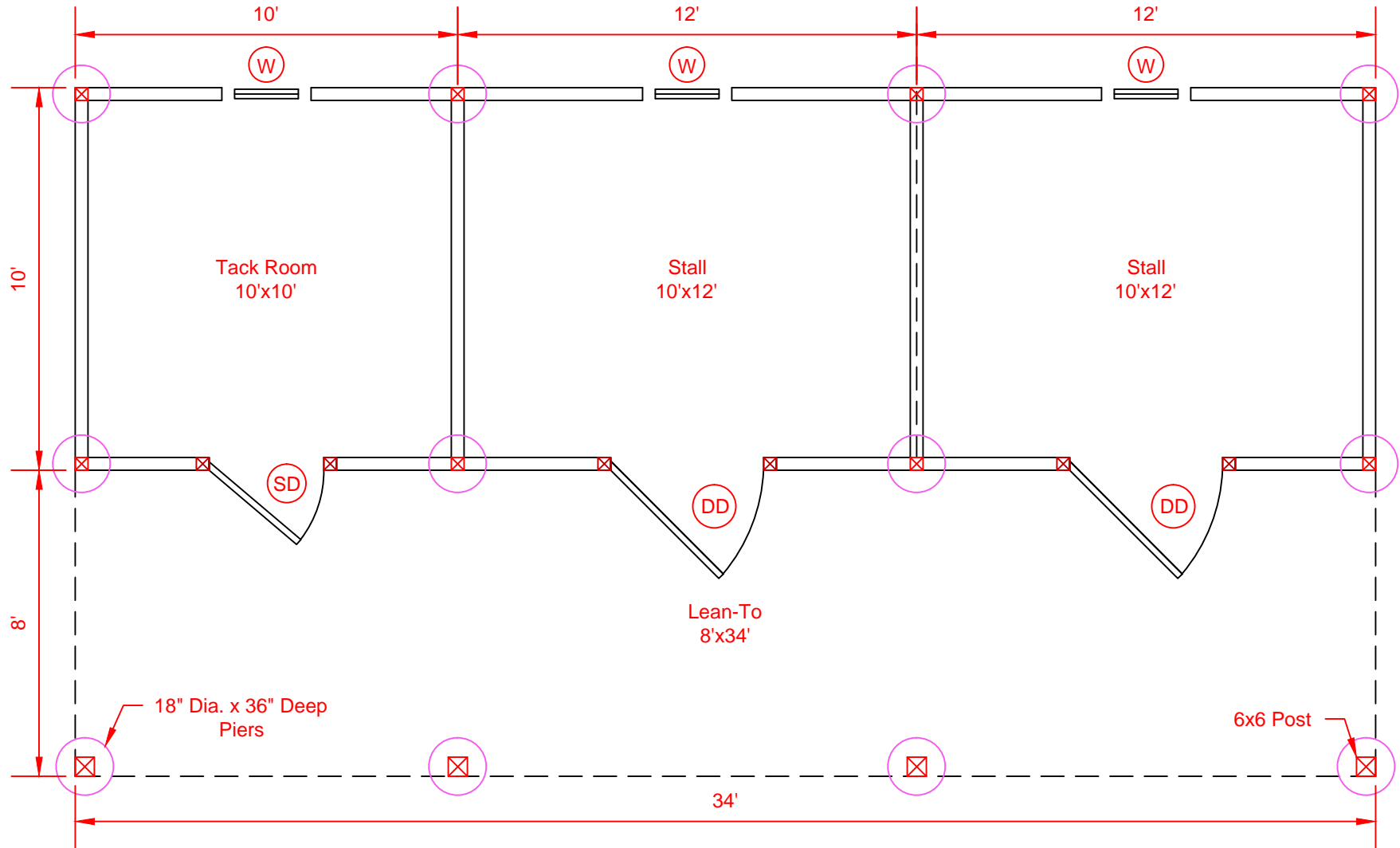
REAR ELEVATION

Scale:  $\frac{1}{4}'' = 1'-0''$



3  
A.1

RIGHT ELEVATION  
Scale:  $\frac{3}{8}$ " = 1'-0"



Symbol Legend

- (W) = 28"x24" Slider Window
- (DD) = 4'x7' Dutch Door
- (SD) = 36"x80" Service Door

Front Elevation



2327 Asheville Hwy. - Hendersonville, NC 28791  
828-692-8200 www.DeliveredBarnsAndSheds.com

1  
A.1

FLOOR PLAN  
Scale: 1/4" = 1'-0"