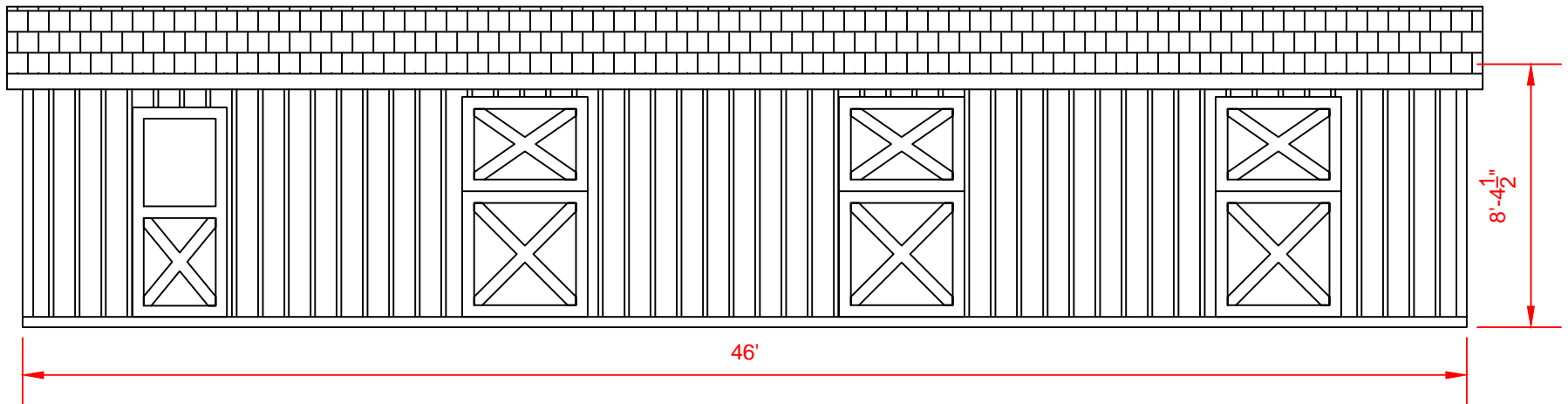


12x46 Shed Row Horse Barn



2327 Asheville Hwy. - Hendersonville, NC 28791
828-692-8200 www.DeliveredBarnsAndSheds.com

2

A.1

FRONT ELEVATION

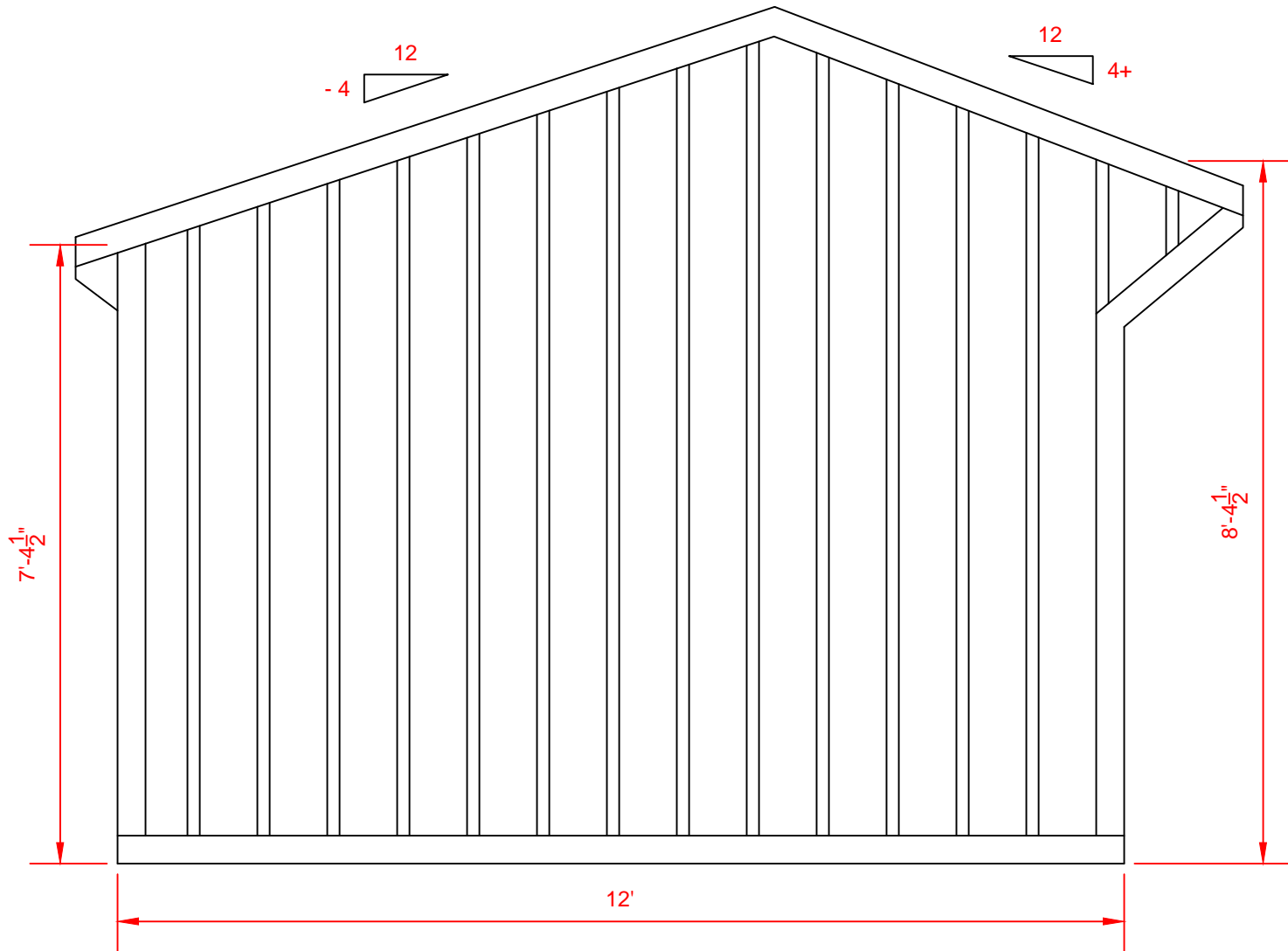
Scale: $\frac{3}{16}$ " = 1'-0"



Carolina Storage Solutions LLC

STORAGE BARNS * HORSE BARNs * CARPORTS * GARAGES

2327 Asheville Hwy. - Hendersonville, NC 28791
828-692-8200 www.DeliveredBarnsAndSheds.com



4
A.1

LEFT ELEVATION

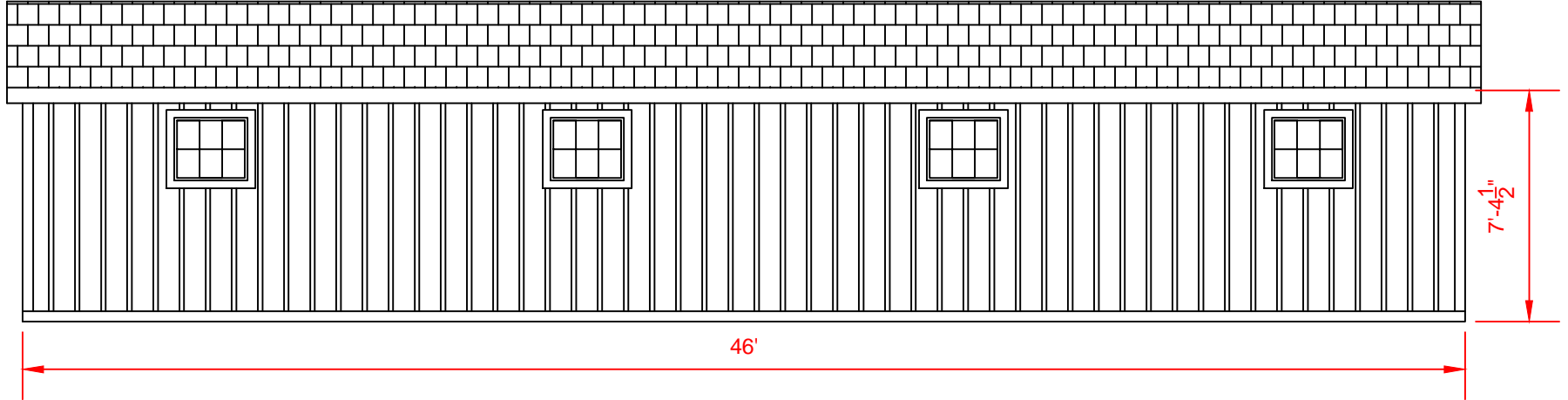
Scale: $\frac{1}{2}$ " = 1'-0"



Carolina Storage Solutions^{LLC}

STORAGE BARNs * HORSE BARNs * CARPORTS * GARAGES

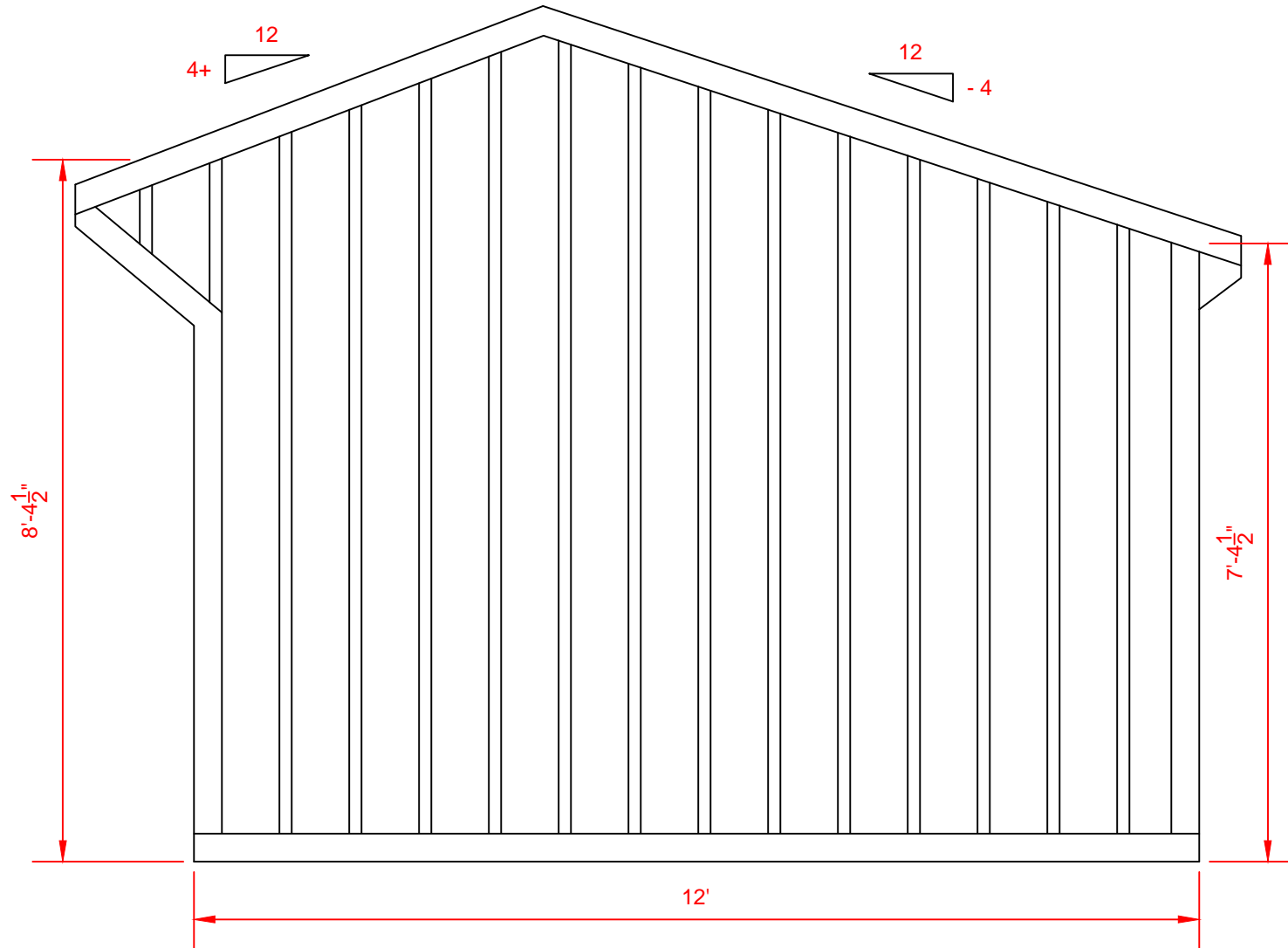
2327 Asheville Hwy. - Hendersonville, NC 28791
828-692-8200 www.DeliveredBarnsAndSheds.com



5
A.1

REAR ELEVATION

Scale: $\frac{3}{16}$ " = 1'-0"



3
A.1

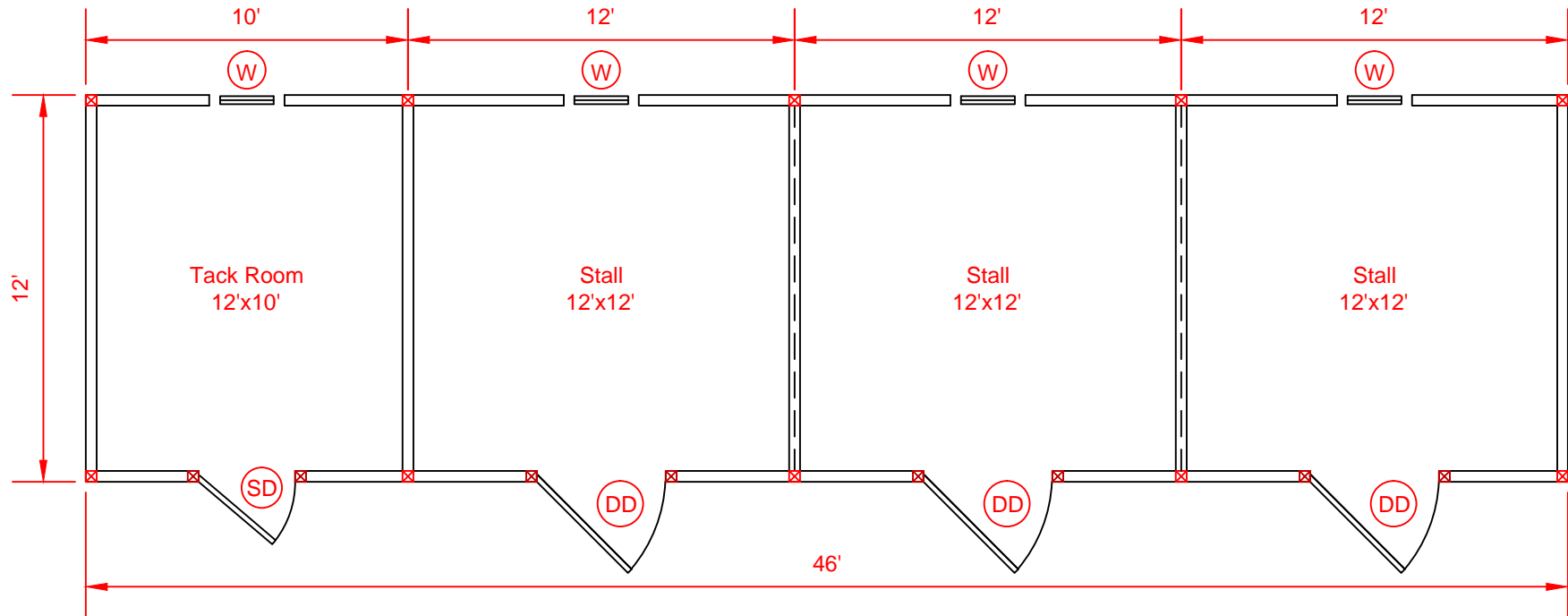
RIGHT ELEVATION

Scale: 1/2" = 1'-0"



Carolina Storage Solutions
LLC
 STORAGE BARNs * HORSE BARNs * CARPORTS * GARAGES

2327 Asheville Hwy. - Hendersonville, NC 28791
 828-692-8200 www.DeliveredBarnsAndSheds.com



Front
Elevation

Symbol Legend

- (W) = 28"x24" Slider Window
- (DD) = 4'x7' Dutch Door
- (SD) = 36"x80" Service Door