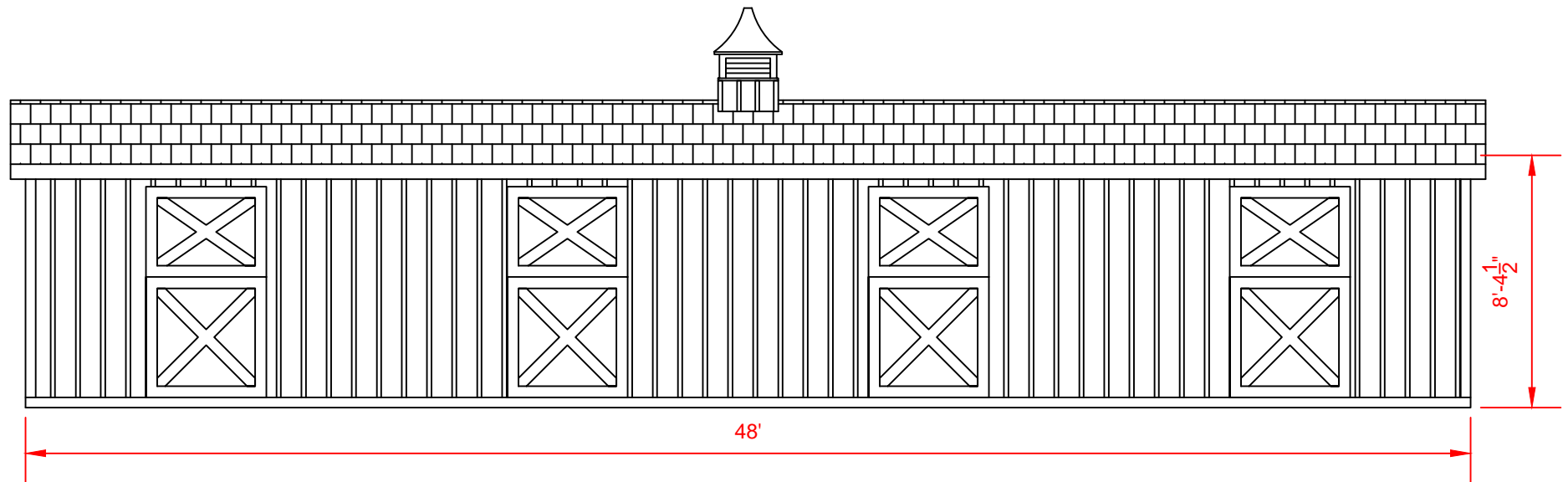


# 12x48 Shed Row Horse Barn



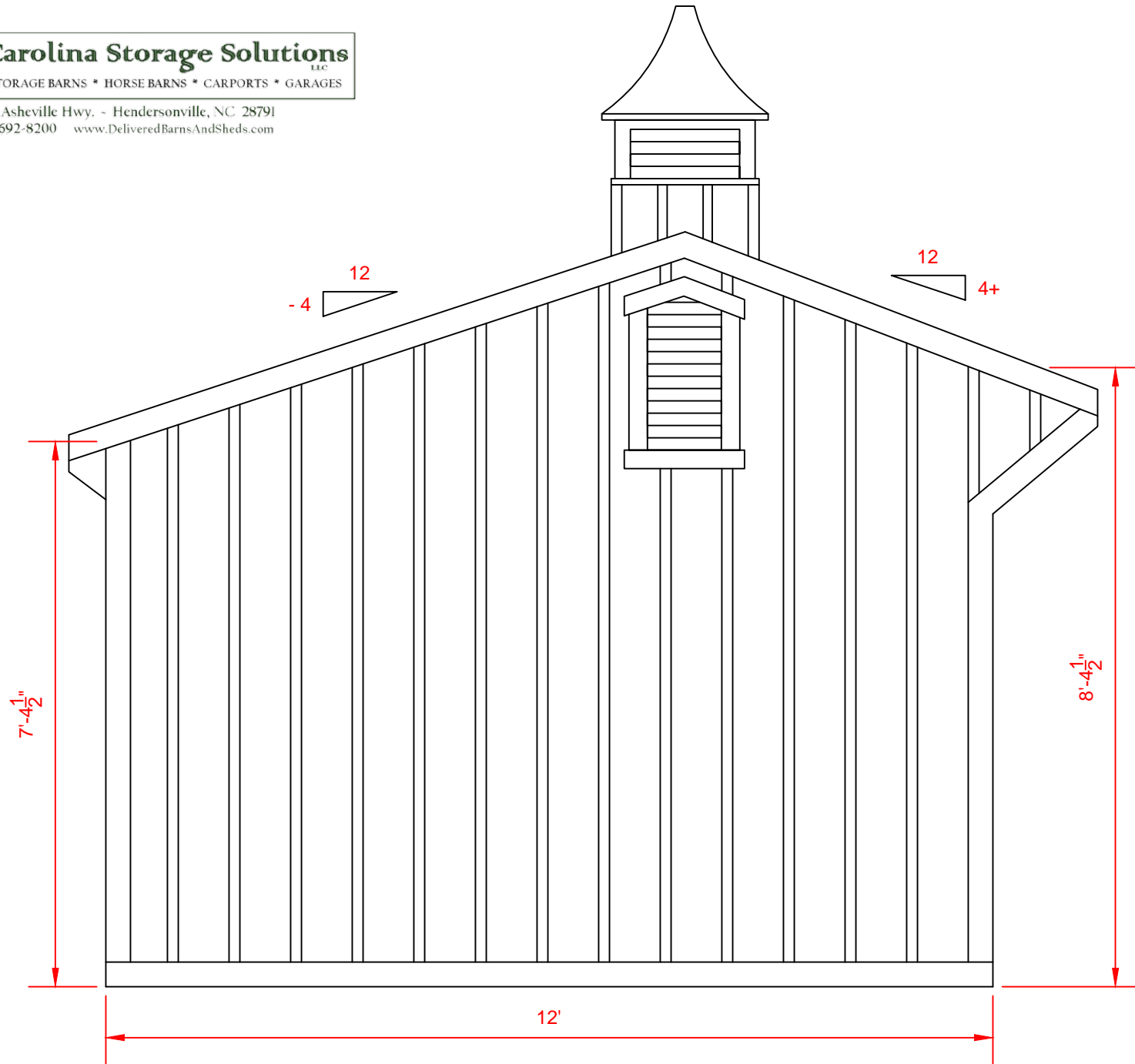
2327 Asheville Hwy. - Hendersonville, NC 28791  
828-692-8200 www.DeliveredBarnsAndSheds.com



**Carolina Storage Solutions**  
LLC

STORAGE BARNS \* HORSE BARNS \* CARPORTS \* GARAGES

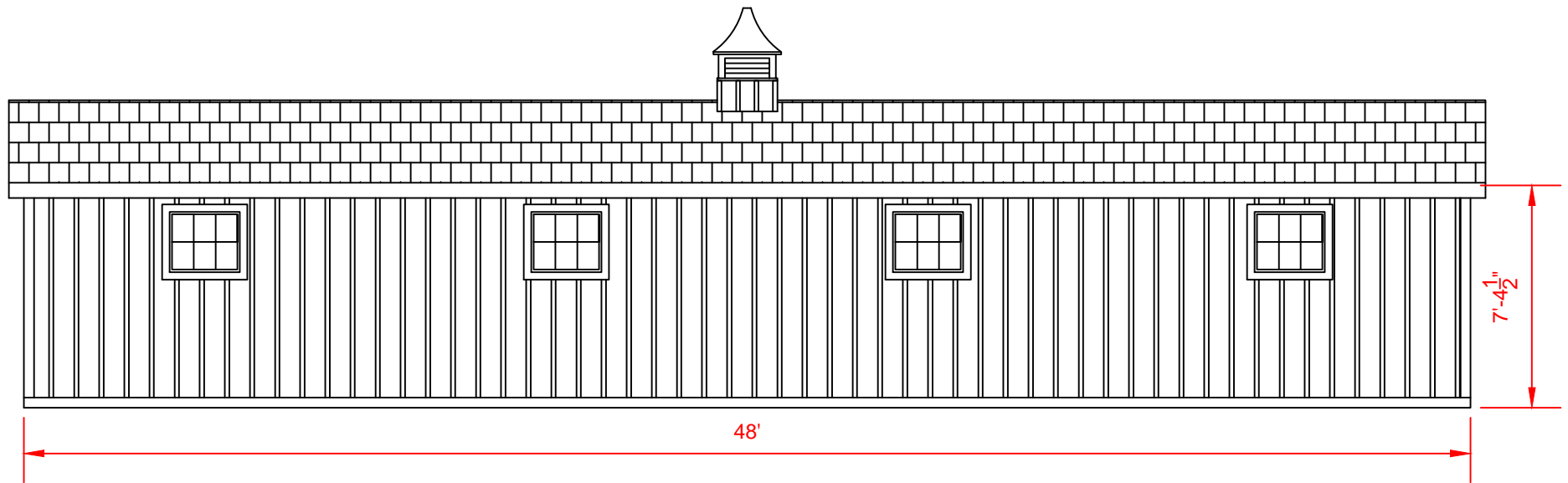
2327 Asheville Hwy. - Hendersonville, NC 28791  
828-692-8200 www.DeliveredBarnsAndSheds.com



4  
A.1

LEFT ELEVATION

Scale:  $\frac{1}{2}'' = 1'-0''$



 **Carolina Storage Solutions**  
STORAGE BARNs \* HORSE BARNs \* CARPORTS \* GARAGES  
2327 Asheville Hwy. - Hendersonville, NC 28791  
828-692-8200 www.DeliveredBarnsAndSheds.com

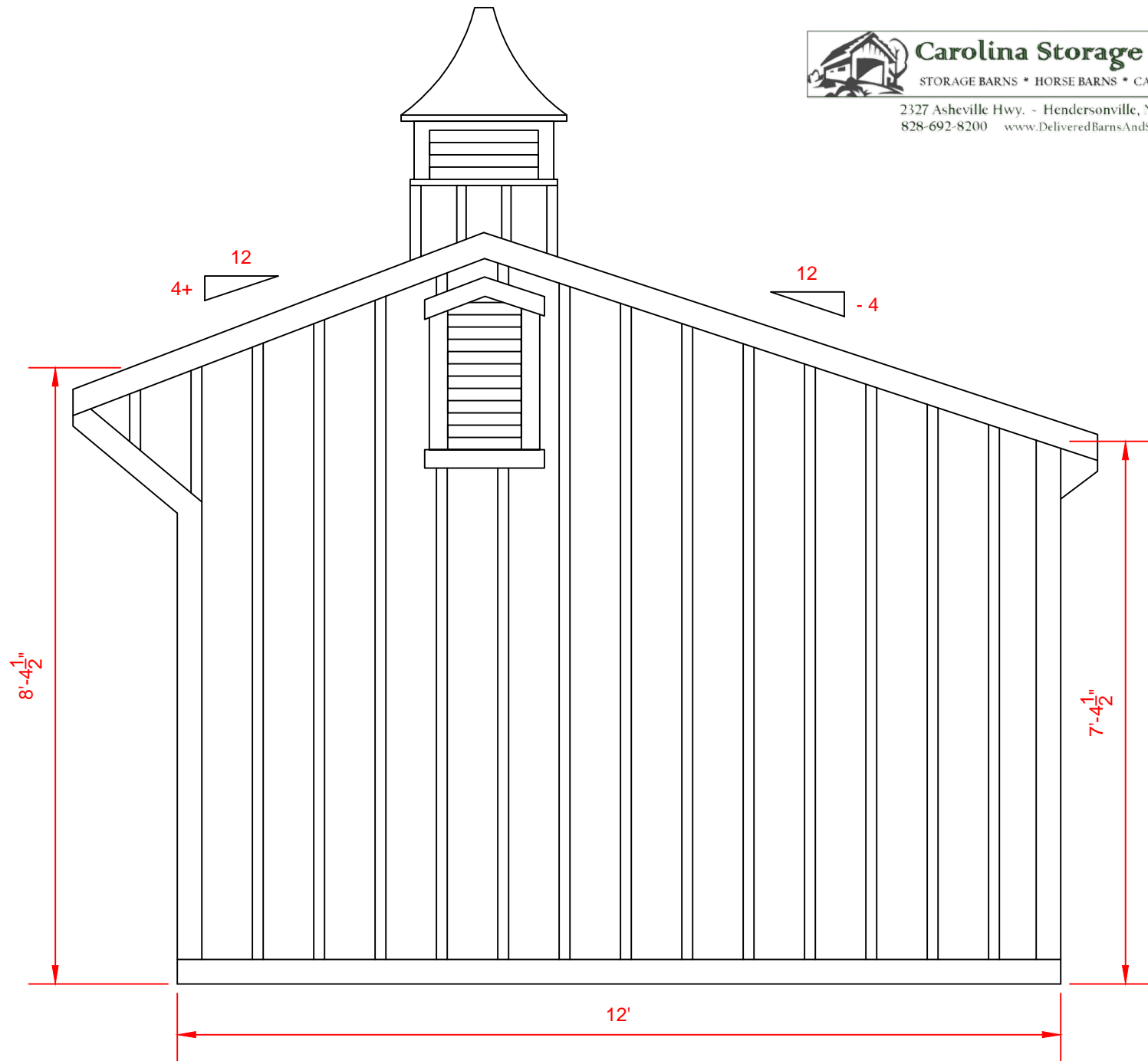
5  
A.1 REAR ELEVATION  
Scale:  $\frac{3}{16}" = 1'-0"$



**Carolina Storage Solutions**  
LLC

STORAGE BARNs \* HORSE BARNs \* CARPORTS \* GARAGES

2327 Asheville Hwy. - Hendersonville, NC 28791  
828-692-8200 www.DeliveredBarnsAndSheds.com



3  
A.1

RIGHT ELEVATION

Scale:  $\frac{1}{2}$ " = 1'-0"

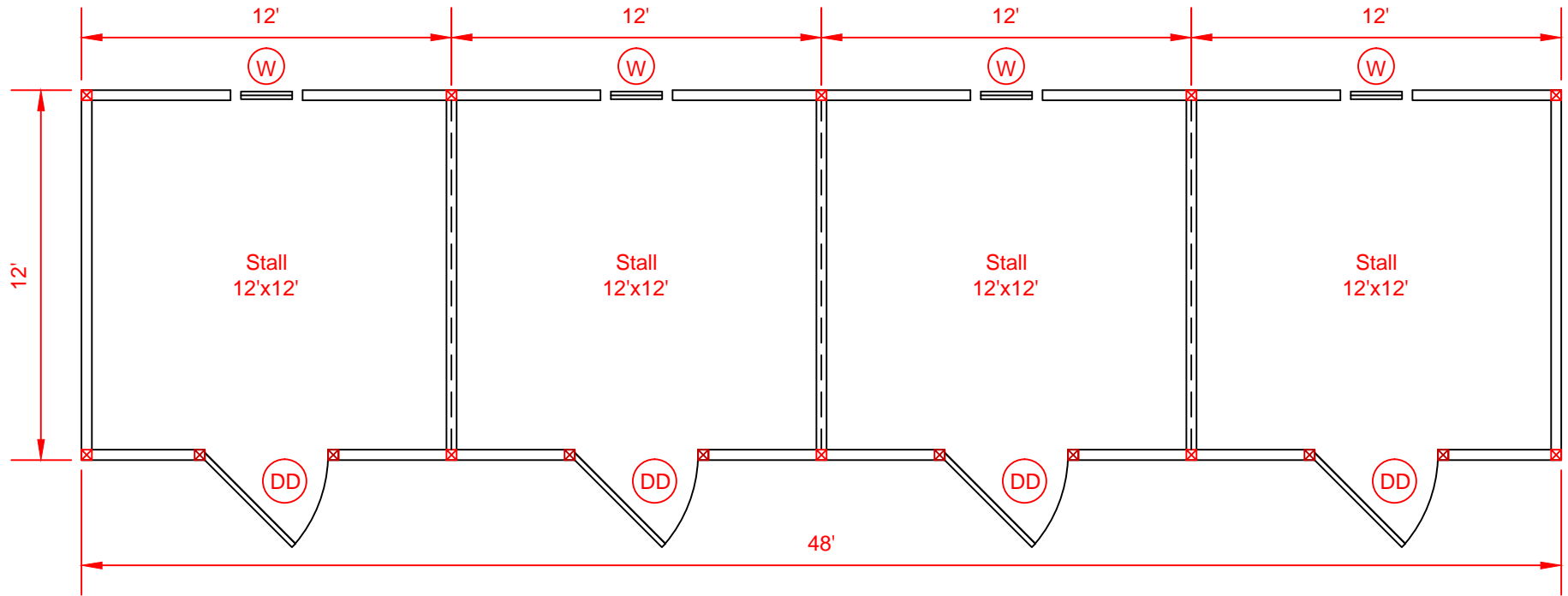


# Carolina Storage Solutions LLC

STORAGE BARNS \* HORSE BARNS \* CARPORTS \* GARAGES

2327 Asheville Hwy. - Hendersonville, NC 28791

828-692-8200 www.DeliveredBarnsAndSheds.com



Front  
Elevation

### Symbol Legend

- (W) = 28"x24" Slider Window
- (DD) = 4'x7' Dutch Door

1  
A.1

### FLOOR PLAN

Scale:  $\frac{3}{16}" = 1'-0"$