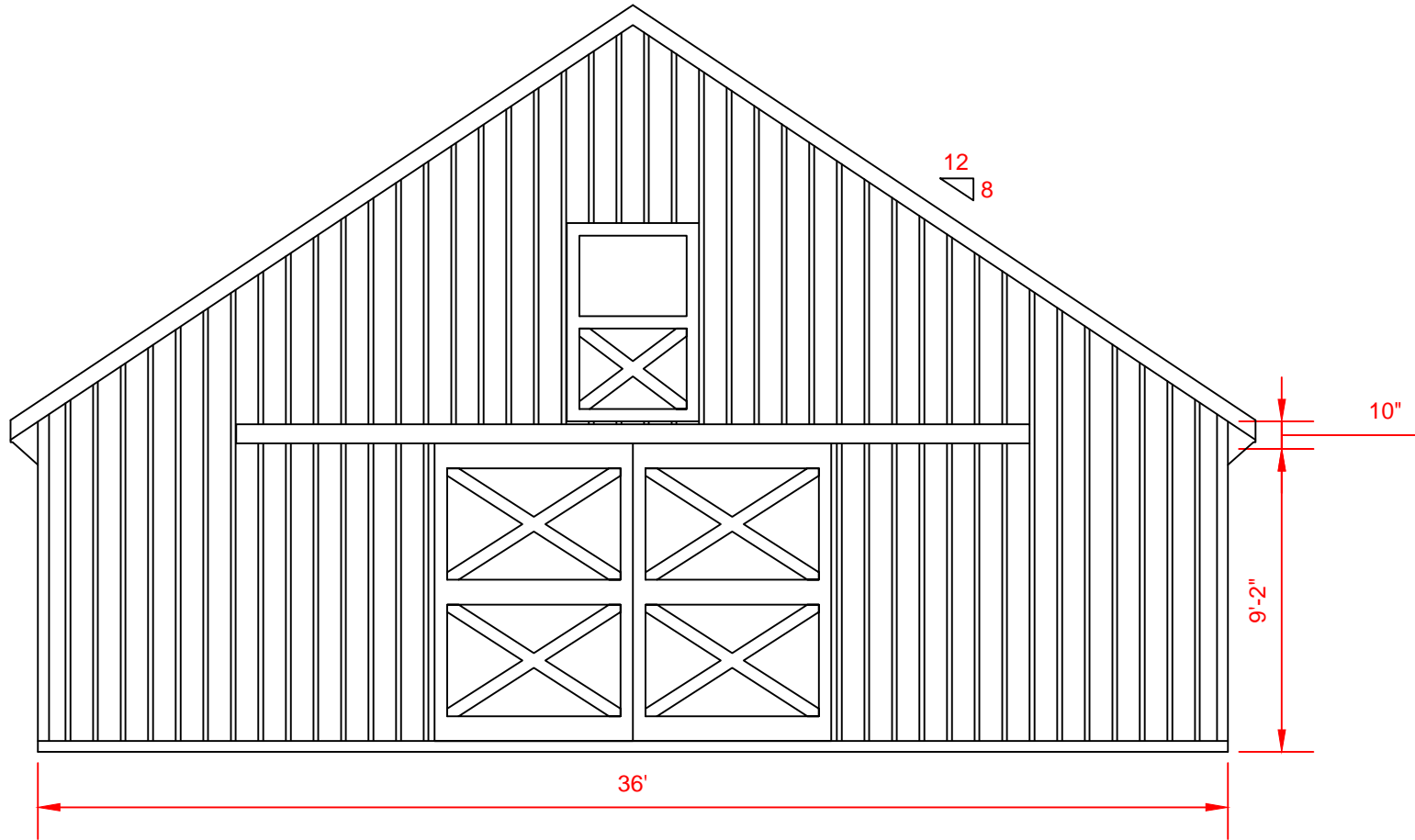


36x36 High Country Barn



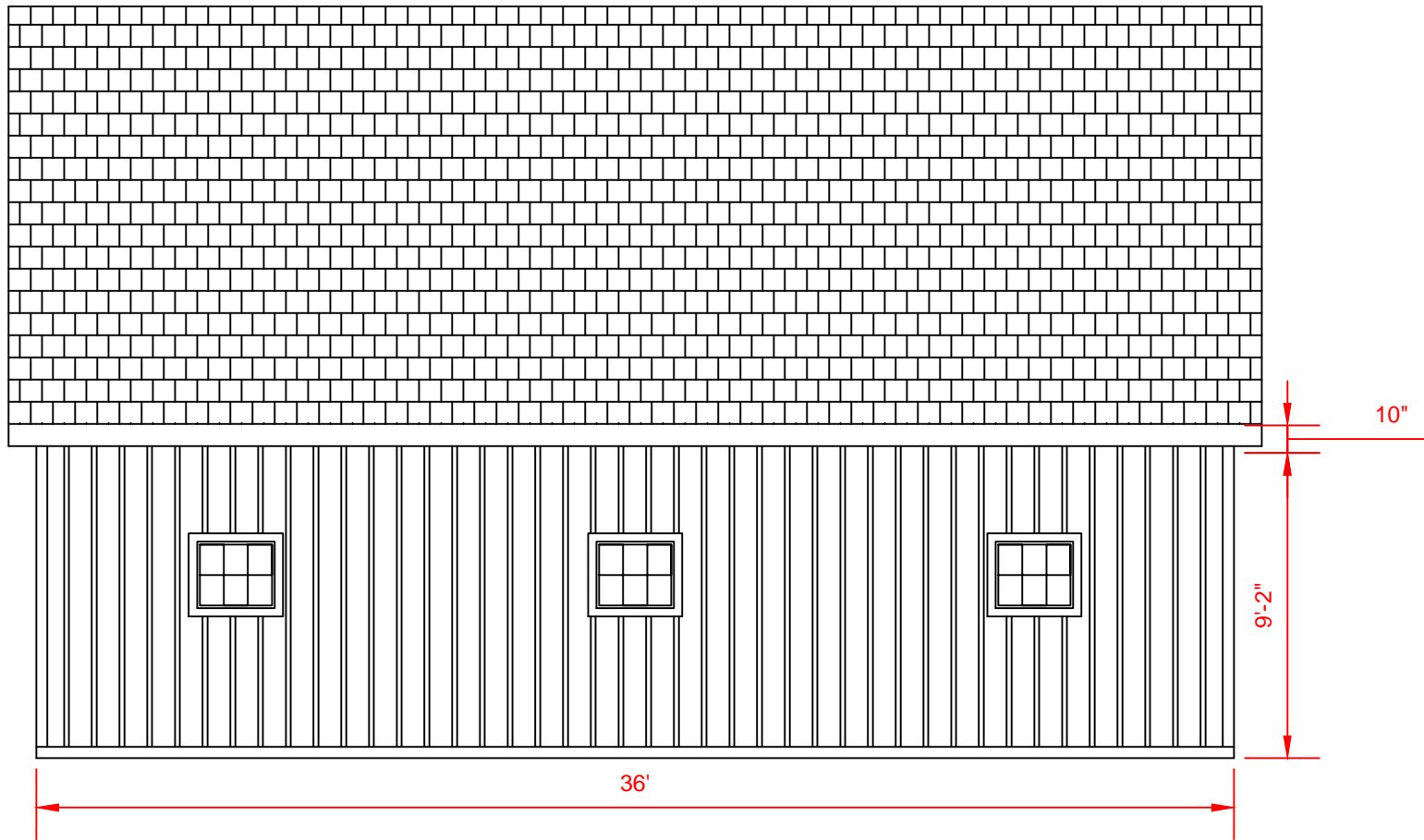
2327 Asheville Hwy. - Hendersonville, NC 28791
828-692-8200 www.DeliveredBarnsAndSheds.com



2 FRONT ELEVATION
A.1 Scale: $\frac{3}{16}'' = 1'-0''$



2327 Asheville Hwy. - Hendersonville, NC 28791
828-692-8200 www.DeliveredBarnsAndSheds.com



3
A.1

SIDE ELEVATION

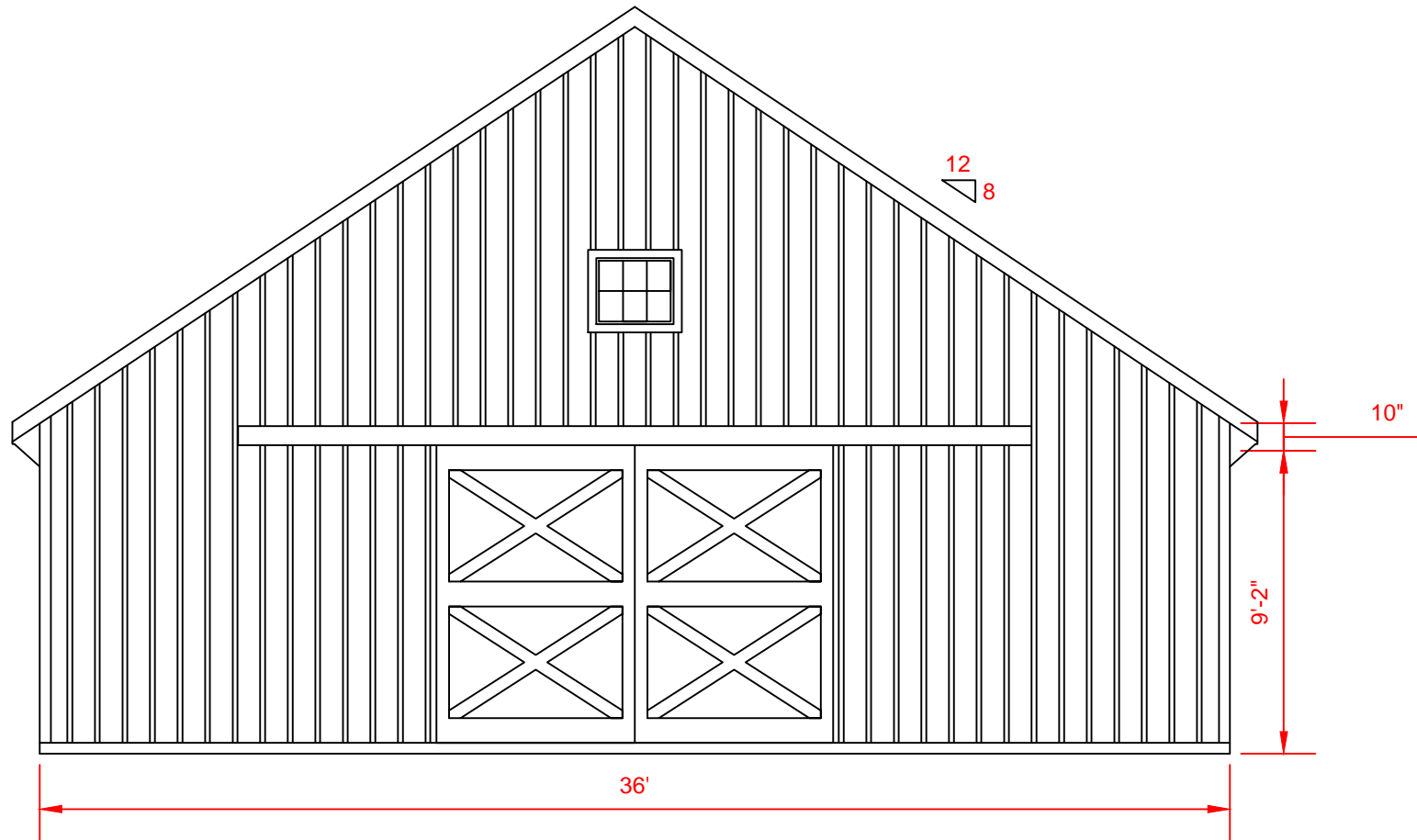
Scale: $\frac{3}{16}'' = 1'-0''$



Carolina Storage Solutions LLC

STORAGE BARNS • HORSE BARNs • CARPORTS • GARAGES

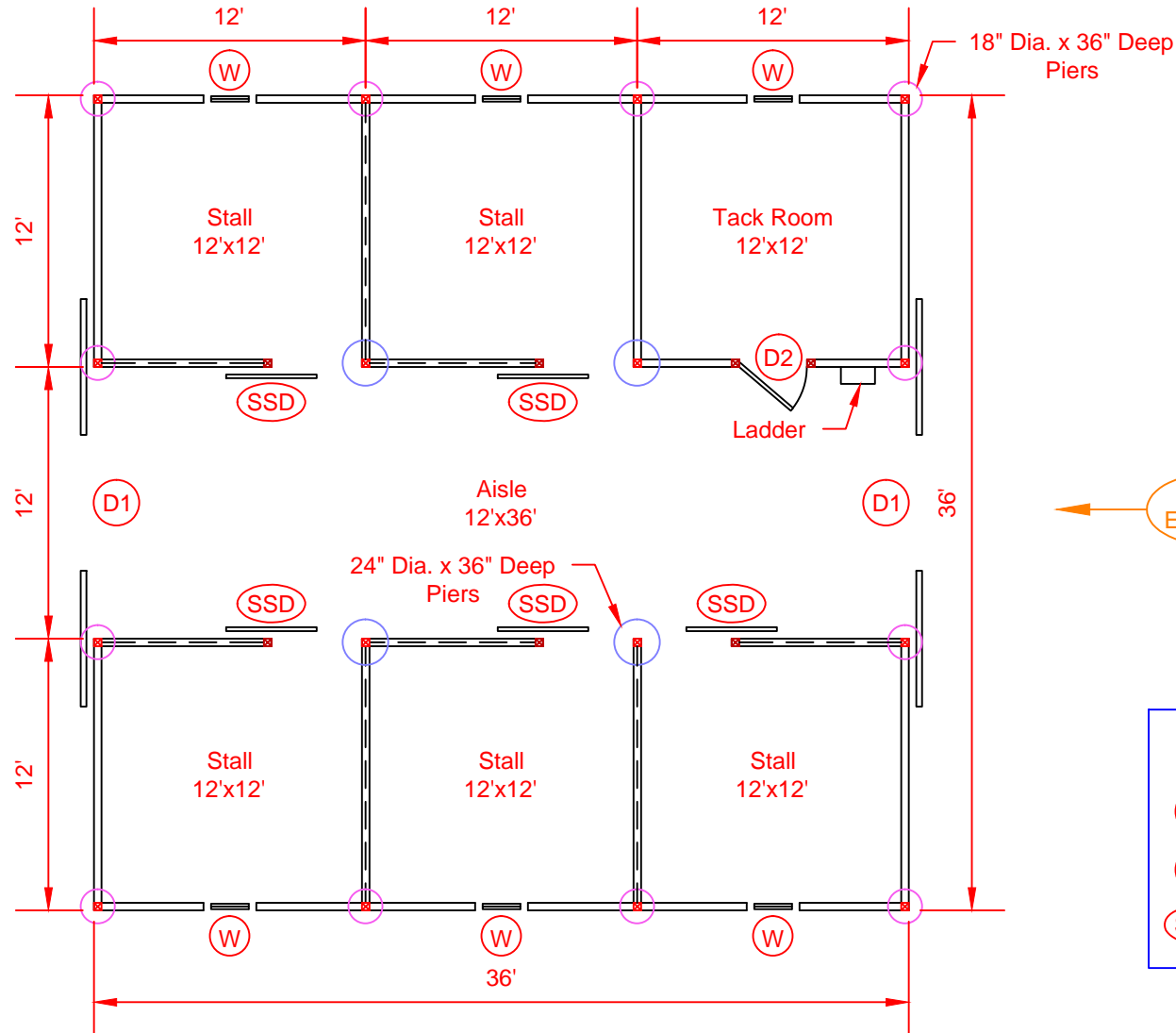
2327 Asheville Hwy. - Hendersonville, NC 28791
828-692-8200 www.DeliveredBarnsAndSheds.com



4
A.1

REAR ELEVATION

Scale: $\frac{3}{16}'' = 1'-0''$



← Front Elevation

Symbol Legend

- (W) = 28"x24" Slider Window
- (D1) = (2) 6'x9' Sliding Doors
- (D2) = 36"x80" Service Door
- (SSD) = 4'x7' Sliding Stall Door

1 FLOOR PLAN
 A.1 Scale: 1/8" = 1'-0"